

MAY 2009 USA
Price List and Specification Guide



!
This PDF is interactive.
Find out what that means on the table of contents.



Contents

GSA Information	3
The Anatome Green Statement	6
Understanding Your Anatome, Meet Dexter	6
Adjustable Keyboard Supports	7
Keyboard Tray Mechanisms	13
Keyboard Tray Platforms	15
Keyboard Accessories	16
Flat Panel Monitor Arm Systems	17
Mounting Options	23
Monitor Arm Components	23
Wall Trax	25
Wall Trax Components	32
CPU Storage Supports	33
TV Mounts	37
Undercabinet Lighting	39
Ergonomic Accessories	44
Conditions of Sale	45
Ordering Anatome, Contact Us	47



THIS PDF IS INTERACTIVE!

HERE'S HOW TO USE IT:

IT'S EASY

The term “interactive PDF” just means you can click on any page number listed on the table of contents page (the page directly to the left) and you will automatically be taken to that particular page in the price book.

Every page after the table of contents has a small “BACK TO TOP” graphic in the top left and right hand corners. Click on them to jump back to the table of contents.

And that's it. It's that simple.

General Services Administration

Federal Supply Service Authorized Federal Supply Schedule Price List

On-line access to contract ordering information, terms and conditions, up-to-date pricing, and the option to create an electronic delivery order are available through GSA Advantage!, a menu-driven database system. The INTERNET address of GSA Advantage! is: GSAAAdvantage.gov.

Federal Supply Schedule For: Office Furniture
 Contract Number: GS-28F-0005T
 Federal Supply Class: 7110
 FSC Group: 71 Part I
 SIN Numbers: 711-2 – Work surfaces, Workstations, Computer Furniture and Accessories
 Contract Period: December 15, 2006 through December 14, 2011
 Business Size: Other than small business



Anatome Inc.
 5800 Avebury Road, Unit 3
 Mississauga, Ontario Canada L5R 3M3
 Toll Free: 1 800 563 3502
 Toll Free Fax: 1 800 272 9911
 orders@anatomeco.com
www.anatomeco.com

For more information on ordering from Federal Supply Schedules click on the FSS Schedules button at <http://www.fss.gsa.gov>

GSA Customer Information

- 1a **Special Item Number:** 711-2 Worksurfaces, Workstations, Computer Furniture and Accessories
- 1b lowest price model and GSA net: mouse trap, model 10075, GSA net \$9.35
- 2 Maximum order: \$200,000
- 3 Minimum Order: **\$50.00 NET**
- 4 Geographic Coverage: **48 CONUS and the District of Columbia**
- 5 Point of Production: **Mississauga, Ontario L5R 3M3 Canada**
- 6 Discount: **less 62.6%**
- 7 Volume Discount:

\$0-\$20,000	62.60%
\$20,001-\$39,999	63.70%
\$40,000-\$59,999	64.80%
\$60,000-\$79,999	65.80%
\$80,000-\$99,999	66.90%
\$100,000-\$200,000	68.00%
\$200,000 and over	Negotiable
- 8 Prompt Payment Terms: NET 30 Days
- 9a. Government Commercial Credit Cards ARE **Accepted AT OR BELOW THE MICRO-PURCHASE THRESHOLD**
- 9b. Government Commercial Credit Cards ARE **Accepted ABOVE THE MICRO-PURCHASE THRESHOLD**
- 10. Foreign Items: **N/A**
- 11a. Time of Delivery: **60-90 days A.R.O.**
- 11b. Expedited Delivery: **3 day Ship Program as noted in price list**
- 11c. Overnight and 2-Day Delivery: **Contact: Anatome**
- 11d. Urgent Requirements: **Contact: Anatome**
- 12. FOB Point: **Destination**
- 13a. Ordering Address: **Anatome
5800 Avebury Road
Unit 3
Mississauga, ONT L5R 3M3 Canada
Fax: 800-272-9911
orders@anatomeco.com**
- 13b. Ordering Procedure: **Ordering procedures: For supplies and services, the ordering procedures, information on Blanket Purchase agreements (BPA's), and a sample BPA can be found at the GSA/FSS Schedule homepage (fss.gsa.gov/schedules).**
- 14. Payment Address: **Anatome, 5800 Avebury Road, Unit 3, Mississauga, ONT L5R 3M3 Canada**

GSA Customer Information

15. Warranty: Anatome Inc Standard:
General Guarantee
 Anatome offers a limited lifetime guarantee on all products in this Price Book, with the following exceptions:
- 1 Year: Lighting Products
 - 5 Years: Gas assisted Strong Arm Cylinder
 - 2 Year Warranty: Rollo Keyboard
 - 1 Year Warranty: Flick-AH mouse

This guarantee is applicable to the initial purchaser only as is non-transferable. Our guarantee covers materials and workmanship for products under normal use 8 hours per day 5 days a week. Products that are specified for normal use 24 hours per day 7 days a week are guaranteed under the same terms and conditions for 10 years. Normal wear and tear is not covered and repair or replacement of defective product is at Anatome's discretion, within the terms stated above. Anatome is committed to honoring the terms of our warranty policy in a customer friendly manner. The objective is to resolve warranty issues within 72 hours.

16. Export Packing Charges: **N/A**
 17. Terms of Government commercial credit card acceptance: Contact Anatome Inc
 18. Rental, Maintenance, and Repairs terms: **N/A**
 19. Installation Terms: **N/A**
 20. Repair Parts, etc. **N/A**
 20a. Terms and Conditions for any other services: **N/A**
 21. List of Service and Distribution Points: **N/A**
 22. List of Participating Dealers: **N/A, contact Anatome Inc**
 23. Preventive Maintenance: **N/A**
 24a. Environmental Attributes: **N/A**
 24b. Section 508 compliance: www.section508.gov/
25. DUNS: **253649529**
Federal tax Identification: 98-0475381
 Cage Code: **L5145**
26. Notification Regarding Registration in Central Contract Registration (CCR) Database:
Anatome is registered.

Restocking charge: Returned merchandise will not be accepted unless authorized in writing prior to Return ship freight prepaid in original carton, and if applicable, will be subject to a restocking charge of 25%. Customer will be responsible for any damage and the cost of re-boxing if required prior to any credits being issued. Custom fabricated merchandise may not be returned.

Cancellation charges: No cost if order is cancelled prior to production. After production has begun, only actual cost incurred will be billed to the customer if merchandise cannot be sold within a six (6) month period. Standard products that are Modified, Optioned, or Customized to specific customer needs can not be cancelled after production begins.



The Anatome Green Statement

We are committed to environmental sustainability and continually strive to design, engineer, manufacture and source products that consume less of the Earth's limited resources. We accomplish this, in part, by incorporating a significant amount of recycled material into our products, including 100% recycled aluminum, 30% recycled steel, and plastics with up to 40% recycled content.

Anatome is committed to operating its business with a focus on continuously reducing impact to the environment. Daily operations are conducted with support from our employees, suppliers and customers to reduce, reuse and recycle material at all possible stages in our processes.

Our stringent policies have significantly limited our carbon footprint thus reducing our contribution to greenhouse gas levels.

For a more detailed breakdown by product category of what percentages of our products are fabricated from recycled materials and are recyclable, please download the **Anatome Green Statement** from our website at www.anatomeco.com or request a copy from your local representative.

Understanding Your Anatome

Take a deep breath. Stretch your shoulders back, and relax.

Feel better already, don't you?

Fatigue, discomfort and repetitive strain injuries are common ailments in the workplace. With a little attention to your posture, simple stretches and a vested interest in Anatome, these physical complaints can be a thing of the past.

Anatome has designed a line of products that keep productivity up and discomfort down. From keyboard systems, monitor arms, and computer stations to CPU holders, Anatome successfully balances ergonomics and aesthetics. Products are based on simple, effective designs, and adjustment options are engineered to be intuitive. Once you've experienced Anatome, you'll wonder how you ever worked without it.

Meet Dexter



Dexter is more than just a cute brand icon for Anatome. In addition to working hard at his job as brand ambassador, Dexter is also our guide to show us the top selling products of each category. When you see a Dexter symbol beside a product, that is Dexter's best pick.

Turn to the back cover, "**Stretch with Dexter**" for a guide to simple stretches that, combined with a vested interest in Anatome, will have you feeling better and working smarter.

When you're in the market for ergonomic tools for your work space, you want a quality supplier that understands your needs; Unique, Intuitive, Reliable, Fast and Easy. These are commitments we live by, and live up to. Learn more about us at www.anatomeco.com.

At Anatome, we are rigorously devoted to meeting your needs. From keyboard systems to monitor arms to CPU holders, Anatome conforms to the ISO 9001-2000 standard, and our guarantee. It's the best in the industry.

Adjustable Keyboard Supports

Anatome's Keyboard supports offer the ideal combination of simplicity and stability to help avoid discomfort and repetitive strain injuries.

Adjusts to your needs

Our broad range of Keyboard supports can be effortlessly adjusted to support various positions throughout the day. Whether you're standing or sitting, Anatome's Keyboard supports feature the flexibility to move as you do.

So many options at your fingertips

Anatome's broad range of preconfigured supports can be mixed and matched so you can choose the configuration most suited the needs of various individuals, a variety of tasks and a range of budgets.

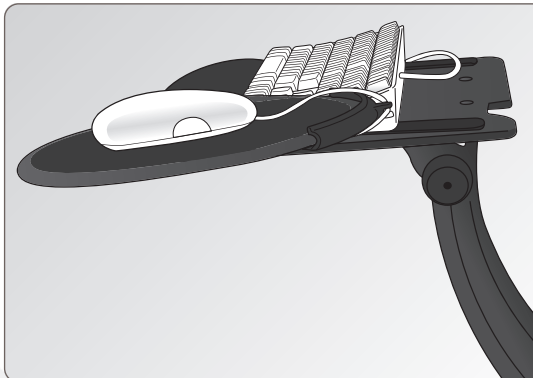


COMBO 4A (shown here)

Treat Your Fingers to Something Nice.

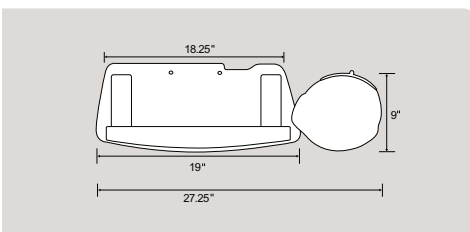
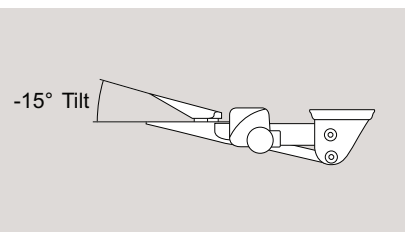
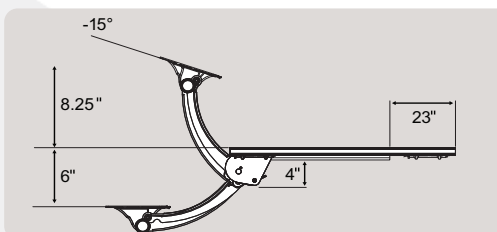
Sit Stand Solutions

Sit / Stand, Lift & Lock Mechanism, Hover mouse (tilts, swivels, depth adjustment, and easily moves from left to right side)



Product Code: Combo 4C

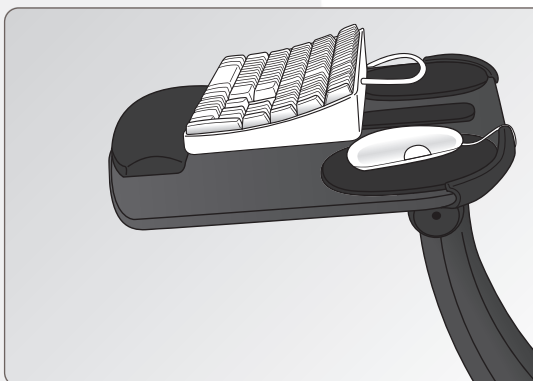
- 19" platform that can support wave style keyboard
- Rigid phenolic construction, sturdier than steel
- Anti-skid strips that prevent keyboard slippage
- Plug-in EA foam palm rest
- Slide on tilt/swivel mouse deck for left or right handed mousing, infinite platform depth adjustment.
- Finger touch lift-n-lock for easy and intuitive height adjustment
- Over 8.5" above desk adjustment for standing while keying
- Standard 0-15° tray angle adjustment
- Smooth glide track for complete storage of keyboard underneath the desk
- 360° swivel



Track Length: 23" Track Width: 5.5" Package Weight: 18 lbs

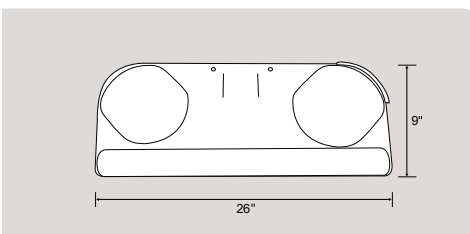
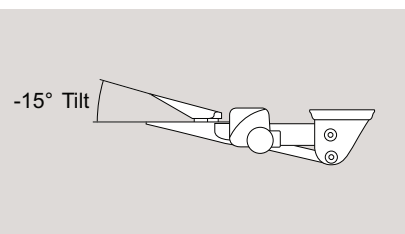
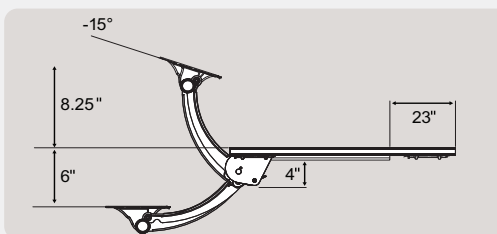
List Price: \$585

Sit / Stand, Lift & Lock Mechanism, Inline L/R Exchangeable Mouse Surface



Product Code: Combo 4B

- 26" platform with 19" palm rest
- Rigid phenolic construction, sturdier than steel
- Anti-skid strips that prevent keyboard slippage
- Plug-in EA foam palm rest
- Finger touch lift-n-lock for easy and intuitive height adjustment
- Over 8.5" above desk adjustment for standing while keying
- Standard 0-15° tray angle adjustment
- Smooth glide track for complete storage of keyboard underneath the desk
- 360° swivel

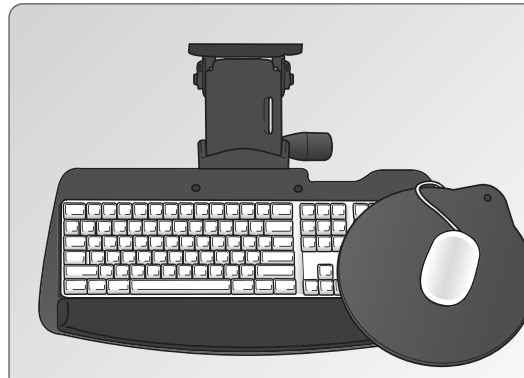


Track Length: 23" Track Width: 5.5" Package Weight: 18.5 lbs

List Price: \$570

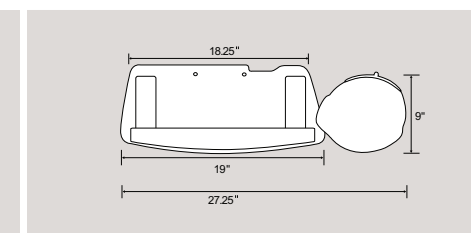
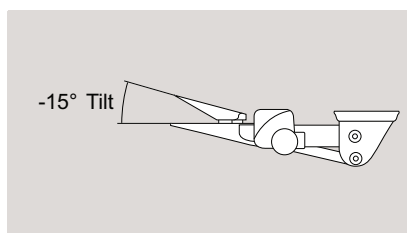
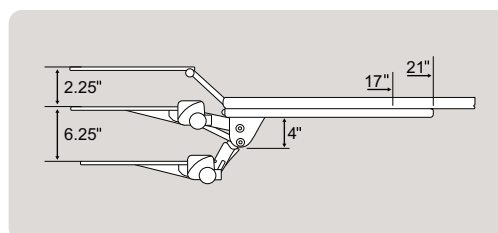
Most Fully Featured Solutions

Lift & Lock Mechanism, Lift & Lock Mechanism, Height/Tilt Gauge, Hover mouse (tilts, swivels, depth adjustment, and easily moves from left to right side)



Product Code: Combo 3C

- 19" platform that can support wave style keyboard
- Rigid phenolic construction, sturdier than steel
- Anti-skid strips that prevent keyboard slippage
- Plug-in EA foam palm rest
- Slide on tilt/swivel mouse deck for left or right handed mousing, infinite platform depth adjustment.
- Finger touch lift-n-lock for easy and intuitive height adjustment
- Adjusts 2.25" above desk and goes 6.25" below
- Standard 0-15° tray angle adjustment
- Smooth glide track for complete storage of keyboard underneath the desk
- 360° swivel
- Easy to read height gauge making it easy to remember user's settings
- Automatic tilt adjustment by turning knob on side of mechanism



Track Length: 21" (17" optional) Track Width: 5.5" Package Weight: 17 lbs

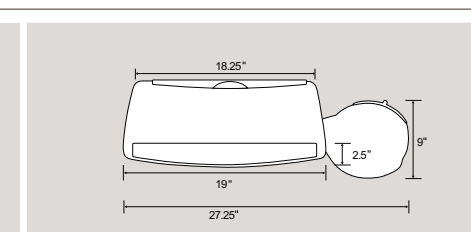
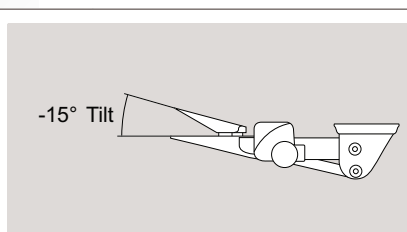
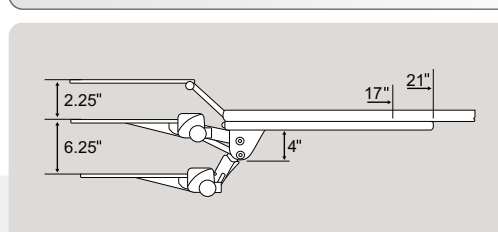
List Price: \$470

Lift & Lock Mechanism, Lift & Lock Mechanism, Height/Tilt Gauge, Reversible, Left or Right Swivel Mouse



Product Code: Combo 3A

- 19" platform that can support wave style keyboard
- Rigid phenolic construction, sturdier than steel
- Anti-skid strips that prevent keyboard slippage
- Plug-in EA foam palm rest
- Swivel mouse deck for left or right handed mousing in a neutral position.
- Finger touch lift-n-lock for easy and intuitive height adjustment
- Adjusts 2.25" above desk and goes 6.25" below
- Standard 0-15° tray angle adjustment
- Smooth glide track for complete storage of keyboard underneath the desk
- 360° swivel
- Easy to read height gauge making it easy to remember user's settings
- Automatic tilt adjustment by turning knob on side of mechanism

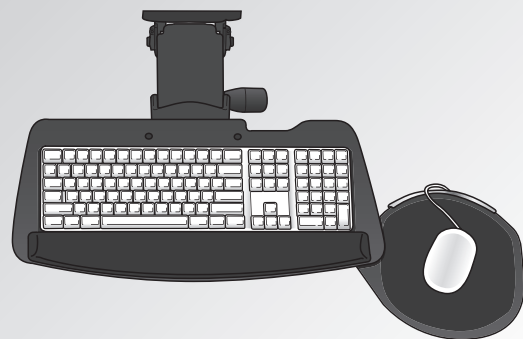


Track Length: 21" (17" optional) Track Width: 5.5" Package Weight: 16.5 lbs

List Price: \$455

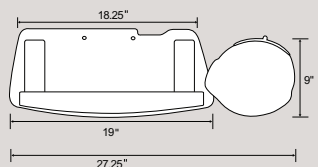
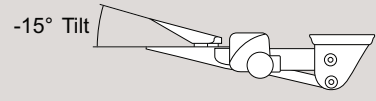
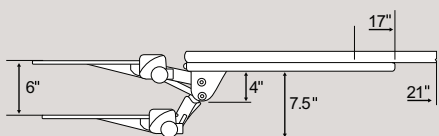
Most Affordable Keyboard Tray Systems

Lift & Lock Mechanism, Left or Right Swivel Mouse



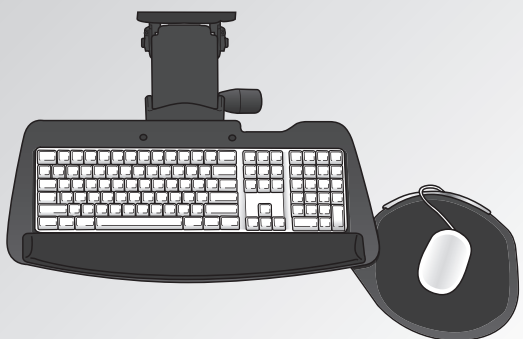
Product Code: Combo 2A

- 19" platform that can support wave style keyboard
- Rigid phenolic construction, sturdier than steel
- Anti-skid strips that prevent keyboard slippage
- Plug-in EA foam palm rest
- Swivel mouse deck for left or right handed mousing in a neutral position.
- Finger touch lift-n-lock for easy and intuitive height adjustment
- Standard 0-15° tray angle adjustment
- Smooth glide track for complete storage of keyboard underneath the desk
- 360° swivel



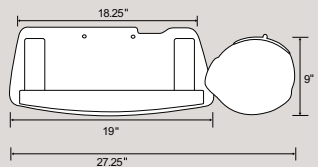
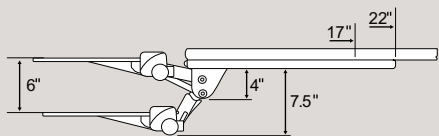
Track Length: 23" (17.75" optional) Track Width: 5.25" Package Weight: 14 lbs **List Price: \$375**

Lift & Lock Mechanism, Left or Right Swivel Mouse



Product Code: Combo 1A

- 19" platform that can support wave style keyboard
- Rigid phenolic construction, sturdier than steel
- Anti-skid strips that prevent keyboard slippage
- Plug-in EA foam palm rest
- Finger touch lift-n-lock for easy and intuitive height adjustment
- Smooth glide track for complete storage of keyboard underneath the desk
- 360° swivel
- Tray angle preset at 0°

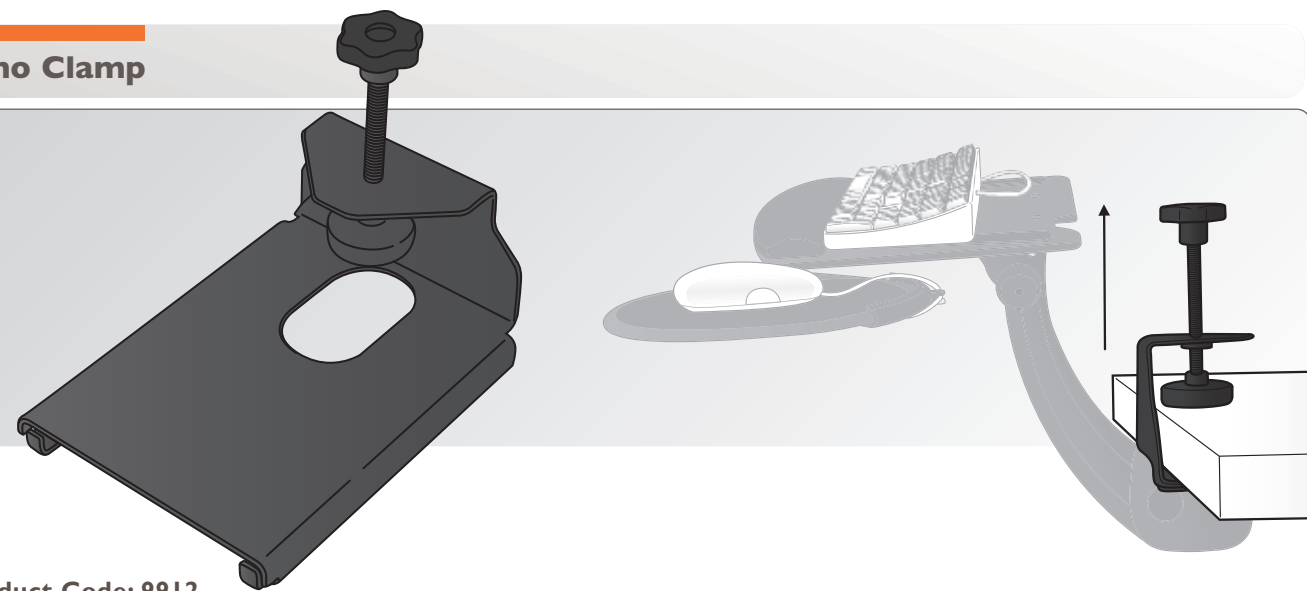


Track Length: 23" (17.375" optional) Track Width: 5.25" Package Weight: 13.5 lbs **List Price: \$325**

Keyboard Support Combinations

		Keyboard Mechanism			
Keyboard Support		CA400	CA300	CA200	CA100
P100		COMBO 4A \$570	COMBO 3A \$455	COMBO 2A \$375	COMBO 1A \$325
P126		COMBO 4B \$570	COMBO 3B \$455	COMBO 2B \$375	COMBO 1B \$325
P200 (Hover mouse)		COMBO 4C \$585	COMBO 3C \$470	COMBO 2C \$390	COMBO 1C \$340
P1MF		COMBO 4D \$600	COMBO 3D \$485	COMBO 2D \$405	COMBO 1D \$355

Demo Clamp



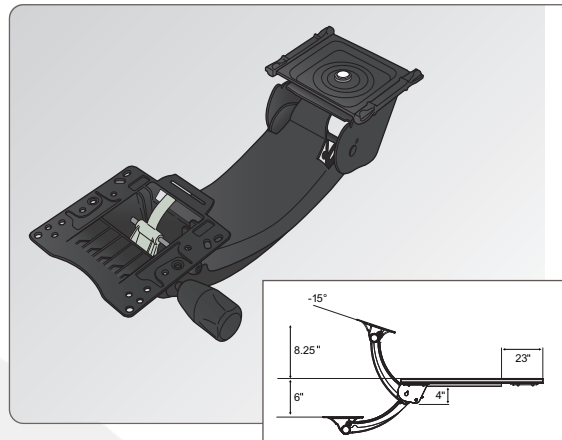
Product Code: 9912

The keyboard tray demo clamp will enable quick set up of any Anatomic keyboard tray combo by simply clamping the mechanism on the edge of any work surface.

List Price: \$60

Keyboard Tray Mechanism Options

Sit Stand Mechanism

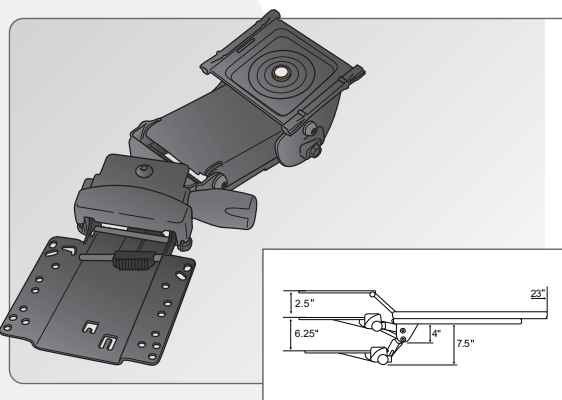


Product Code: CA400

- Versatile arm that allows the user to sit or stand while typing or mousing
- Lift-N-Lock™ spring assisted height adjustment
- Automatic tray angle dial and indicator to show precise 0 to -15° tilt positions (positive tilt available)
- Adjustable height range of 8.25" above the storage track and 6" below the track
- Standard 23" track for full storage under work surface
- 360° swivel
- 7.5" wide, 22.3" long, 14lbs

List Price: \$395

Double Swivel Mechanism

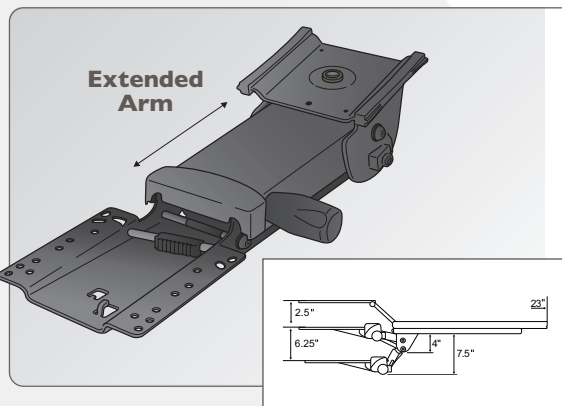


Product Code: CA300DS

- Double Swivel operation at 45° left & right angles
- Lift-N-Lock™ spring assisted height adjustment
- Automatic tray angle dial and indicator to show precise 0 to -15° tilt positions (positive tilt available)
- Adjustable height range of 2.25" above track and 6.25" below track
- Standard 23" track for full storage under work surface
- 360° swivel on base, 45° swivel tray head
- 7.5" wide, 19" long, 13 lbs

List Price: \$430

Extended Depth Mechanism

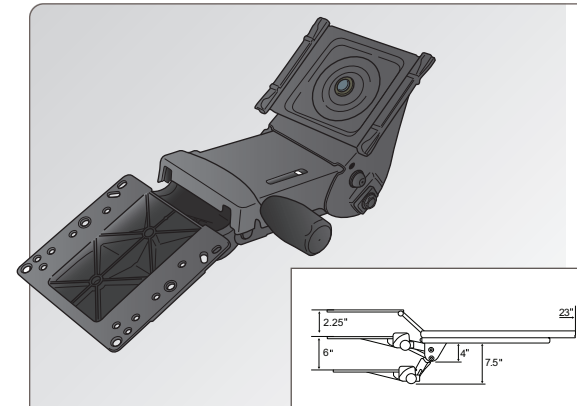


Product Code: CA300EX

- Extended arm for corner applications
- Lift-N-Lock™ spring assisted height adjustment
- Automatic tray angle dial and indicator to show precise 0 to -15° tilt positions (positive tilt available)
- Adjustable height range of 2.5" above track and 6.75" below track
- Standard 23" track for full storage under work surface
- 360° swivel
- 7.5" wide, 18.1" long, 11.5 lbs
- Height indicator gauge

List Price: \$350

Deluxe Lift & Lock Mechanism, with Height Gauge & Above Desk Adjustment

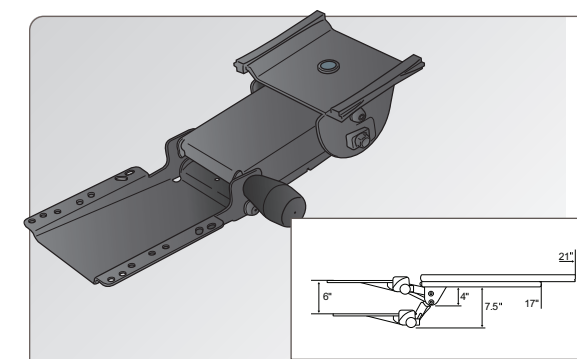


Product Code: CA300

- Most popular arm perfect for any configuration
- Lift-n-Lock™ spring assisted height adjustment
- Height indicator provides a point of reference to set to the desired height
- Automatic tray angle dial and indicator to show precise 0 to -15° tilt positions (positive tilt available)
- Adjustable height range of 2.25" above desk to 6.25" below
- Standard 21" track for full storage under work surface, 17" track optional
- 360° swivel
- 7.5" wide, 16.8" long, 11.3 lbs

List Price: \$280

Standard Lift & Lock Mechanism

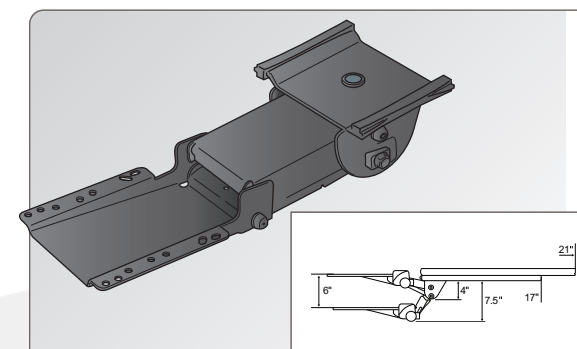


Product Code: CA200

- Easy to use standard size arm for tight work spaces
- Lift-N-Lock™ spring assisted height adjustment
- Soft touch knob for tilt control of 0 to -15°
- Adjustable height range up to desk level and 6" below track
- Standard 23" track for full storage under work surface, 17.75" track optional
- 360° swivel (dual swivel optional)
- 7.5" wide, 15.7" long, 12.5 lbs

List Price: \$200

Economy Mechanism



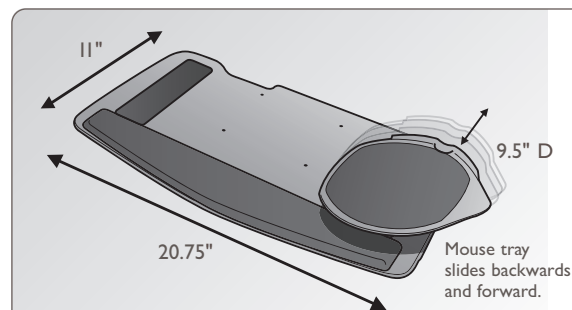
Product Code: CA100

- Easy to use standard size arm for tight work spaces
- Lift-N-Lock™ spring assisted height adjustment
- Tilt angle preset at 0°
- Adjustable height range up to desk level and 5.25" below track
- Standard 23" (17.75" track available for full storage under work surface)
- 360° swivel (dual swivel optional)
- 7.5" wide, 15.7" long, 12.2 lbs

List Price: \$150

Keyboard Tray Platforms

19" Platform, with Hover mouse (tilts, swivels, depth adjustment, and easily moves from left to right side)

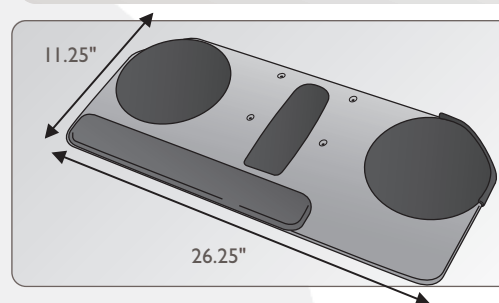


Product Code: P200

- 19" platform that can support wave style keyboard
- Rigid phenolic construction, sturdier than steel
- Anti-skid strips that prevent keyboard slippage
- Plug-in EA foam palm rest
- Slide on tilt/swivel mouse deck for left or right handed mousing, infinite platform depth adjustment
- Mousing surface can be positioned as an upper mouse or to swivel below platform.

List Price: \$190

26" Platform, Reversible Mouse

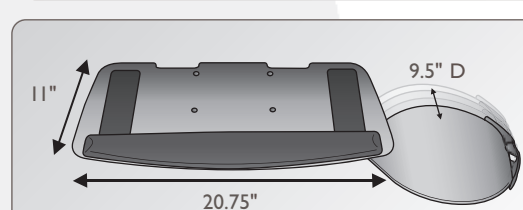


Product Code: P126

- 26" platform with 19" palm rest
- Rigid phenolic construction, sturdier than steel
- Anti skid strips that prevent keyboard slippage
- Plug in gel-like foam palm rest
- Long board allows easy left or right handed same plane mousing without tools
- Palm rest easily shifts to the left or right side

List Price: \$175

19" Platform, with Swivel Mouse

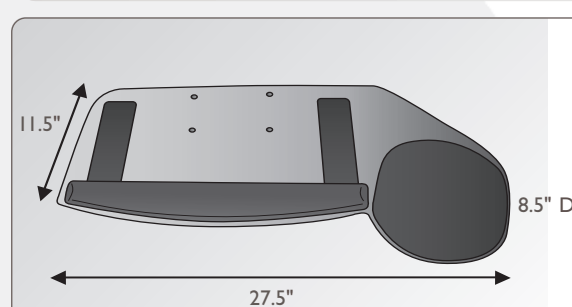


Product Code: P100

- 19" platform that can support wave style keyboard
- Rigid phenolic construction, sturdier than steel
- Anti skid strips that prevent keyboard slippage
- Swivel mousedeck for left or right handed mousing in neutral position

List Price: \$175

Flip Platform



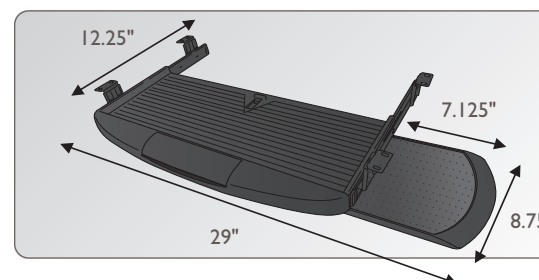
Product Code: PIMF

- Flip board over for left or right mousing
- Forward mouse design allows left or right handed mousing closer to the body
- Rigid phenolic construction, sturdier than steel
- Accommodates standard and ergonomic shaped keyboards

List Price: \$205

Keyboard Accessories

Keyboard Drawer

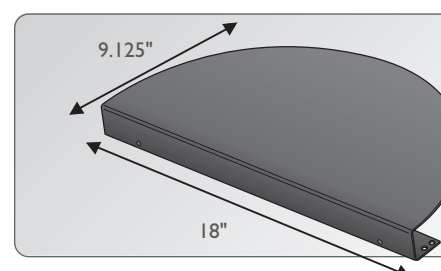


Product Code: K100

- Pull out mouse tray (mountable left or right)
- Palm rest / pencil and pen compartment
- Accommodates standard and ergonomic shaped keyboards
- Stable, durable design

List Price: \$175

Adjustable Depth Mini Corner Sleeve

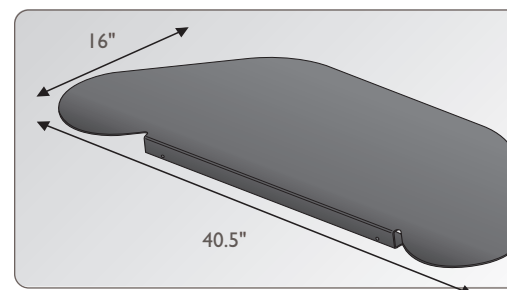


Product Code (18"): CS18

- Available in black wrinkle
- Formed steel material for durability & aesthetic appeal
- Accommodates work surfaces from 1.5" to 2.375" thickness
- Mounts to the underside of the works surface – mounting hardware included

List Price (18"): \$110

Adjustable Depth Large Corner Sleeve



Product Code (40.5"): CS40

- Available in black wrinkle
- Formed steel material for durability & aesthetic appeal
- Accommodates work surfaces 1.5" to 2.375" thickness
- Mounts to the underside of the works surface – mounting hardware included

List Price (40.5"): \$195

Anatome Mousepad



Product Code: MP

- Mousepad with built-in gel palm rest

Note: The Anatome Mousepad (MP) is not available on GSA.

List Price: \$37

Flat Panel Systems

There are 3 main reason why Anatome Flat Panel Monitor Arms are superior:

- **Anatome monitor arms are the easiest monitor arms to adjust... period.**

With our patented self lubricating nylon sleeve joints, no other arm is easier to adjust than ours. Compare and you will see.

- **Anatome arms offer the widest range of motion**

With standard and half extensions and the ability to use them together or interchangeably, it is easy to create the reach you need.

- **Anatome monitor arms are the most modular arms available**

Need to switch your single monitor arm to a double? No problem with Anatome arms – but try that with our competitors arms.



Side-by-side.

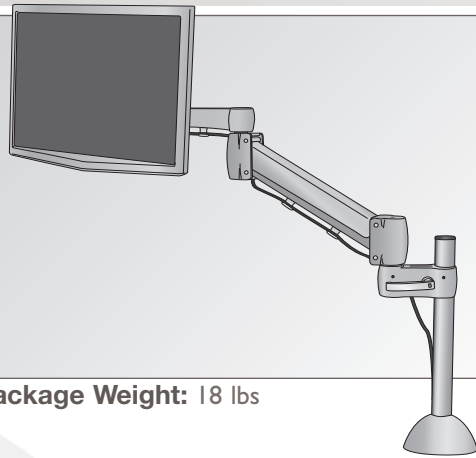


Stacked.

Innovation + Flat Panel Solutions

Pre-configured Monitor Supports

Sit Stand, Gas Assist Arm, for One Monitor

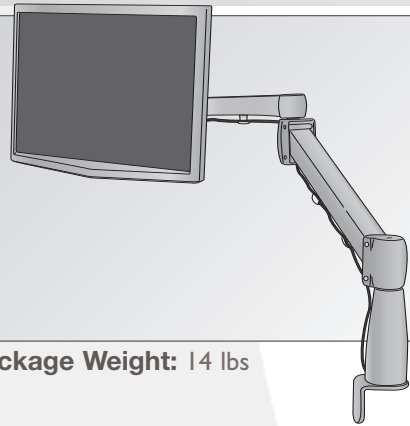


- Product Code: SA300SS**
SA300SS (Silver/Black) - (For monitors 4.5 - 17.5lbs) + mount code
SA300SS HD (Silver/Black) - (For monitors 13 - 30.5lbs) + mount code
- Patented nylon sleeve joint systems allows finger touch adjustment of monitor from a sitting to a standing position with less than 1 lb of force
 - 180° swivel lockout (easily removable if desired)
 - Approximately 28" of height adjustment from desk to middle of vesa through pole & gas arm
 - Monitor arm in full extension position 28" in stored position 4"
 - 16" pole provided

Package Weight: 18 lbs

SA300SS: \$550 + Cost of Mount Option
SA300SSHD: \$605 + Cost of Mount Option

Gas Assist Arm, for One Monitor

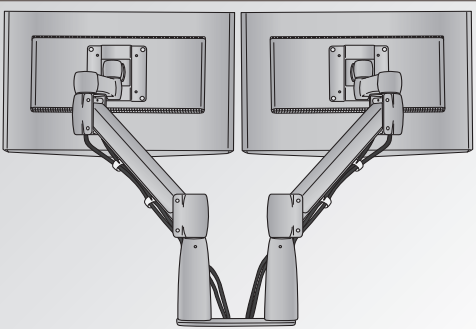


- Product Code:**
SA300 (Silver/Black) - (For monitors 4.5 - 17.5lbs) + mount code
SA300 HD (Silver/Black) - (For monitors 13 - 30.5lbs) + mount code
- Patented nylon sleeve joint system allows easy adjustment of monitor in any direction with just 1 lb of force
 - 180° swivel lockout (easily removable if desired)
 - 18" height adjustment from desk to middle of vesa
 - Monitor arm in full extension position 26" in stored position 4"
 - Risers available in 3" and 6" lengths

Package Weight: 14 lbs

SA300: \$423 + Cost of Mount Option
SA300HD: \$478 + Cost of Mount Option

Gas Assist Arm, for Two Monitors



- Product Code:**
SA320 (Silver/Black) - (For monitors 4.5 - 17.5lbs) + mount code
SA320 HD (Silver/Black) - (For monitors 13 - 30.5lbs) + mount code
- Patented nylon sleeve joint system allows dual monitors to easily adjust in any direction with just 1 lb of force
 - 180° swivel lockout (easily removable if desired)
 - 18" height adjustment from desk to middle of vesa
 - Monitor arm in full extension position 22" in stored position 4"
 - Risers available in 3" and 6" lengths

Package Weight: 19 lbs

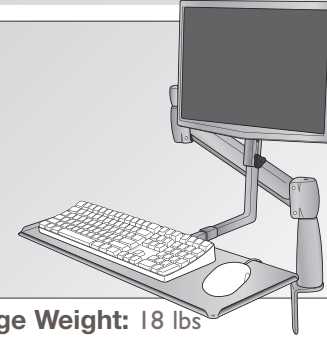
SA320: \$846 + Cost of Mount Option
SA320HD: \$956 + Cost of Mount Option

Mounting Options

Standard Desk Clamp Mount	Direct Bolt Mount	Grommet Mount (2.5" to 3" hole)	Slat Wall Mount
Black 1216 \$65	Black 1241 \$65	Black 1247 \$65	Black 1218 \$95
Silver / Gray 1217 \$65	Silver 1240 \$65	Silver / Gray 1248 \$65	Silver / Gray 1219 \$95
Wall Mount	SA320 Grommet & Direct Mount	SA320 Clamp Mount	
Black 1214 \$95	Black 9997 \$30	Black 9999 \$30	
Silver 1215 \$95	Silver 9996 \$30	Silver 9998 \$30	

(See page 23 for additional mounting option information)

Gas Assist Keyboard Tray & Monitor Arm, Combination

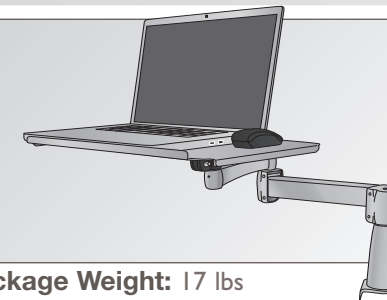


- Product Code: SA300KEY (Silver/Black)** + mount code
- Patented nylon sleeve joint system allows easy and simultaneous adjustment of monitor and keyboard in any direction with less than 1 lb of force
 - Keyboard easily folds up for more free space on the work surface
 - 180° swivel lockout (easily removable if desired)
 - 18" height adjustment from desk to middle of vesa
 - 35" fully extended to end of tray 6" when stowed with keyboard folded up

Package Weight: 18 lbs

SA300 KEY: \$955 + Cost of Mount Option

Gas Assist Arm, For Laptop

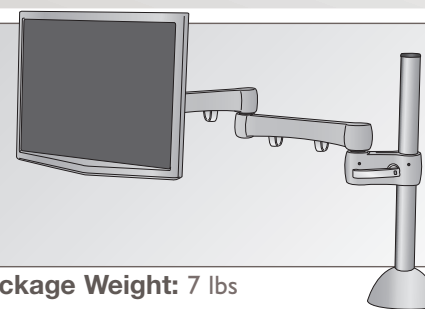


- Product Code: SA300LAP (Silver/Black)** + mount code
- Patented nylon sleeve joint system allows you to easily adjust adjust laptop in any direction with less than 1 lb of force
 - 180° swivel lockout (easily removable if desired)
 - 33" fully extended to end of tray in stored position 16"
 - 18" height adjustment from desk to middle of vesa

Package Weight: 17 lbs

SA300 LAP: \$550 + Cost of Mount Option

Manual Height Arm, For One Monitor

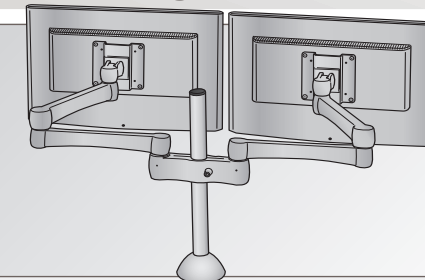


- Product Code: SA200 (Silver/Black)** + mount code
- Patented nylon sleeve joint system allows you to easily adjust for depth and side to side with 1 lb of force. Manually height adjustable on the pole
 - 180° swivel
 - 16" pole for height adjustment
 - 25" fully extended. 4" in stored position

Package Weight: 7 lbs

SA200: \$306 + Cost of Mount Option

Manual Height Arm, For Two Monitors



- Product Code: SA220 (Silver/Black)** + mount code
- Patented nylon sleeve joint system allows monitors to easily adjust for depth and side to side with 1 lb of force. Manually height adjustable on the pole
 - 180° swivel
 - 16" pole for height adjustment
 - 25" fully extended. 4" in stored position

Package Weight: 13 lbs

SA220: \$590 + Cost of Mount Option

Pre-configured Monitor Supports

Manual Height Arm, For Three Monitors



Product Code:

SA230 (Silver/Black) + heavy duty mount code

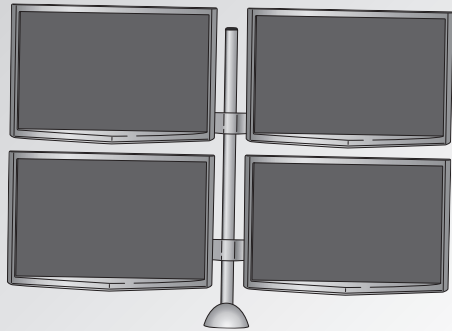
- Patented nylon sleeve joint system allows you to easily adjust three monitors straight across or in cockpit-like arrangement
- Outside monitors can swivel out up to 45 degrees. All monitors can pivot up or down
- 16" pole for height adjustment
- 16" fully extended. 4" in stored position

Package Weight: 22 lbs

SA230: \$785 + Cost of Mount Option

(Must use heavy duty mounts below)

Manual Height Arm, For Four Monitors



Product Code:

SA240 (Silver/Black) + heavy duty mount code

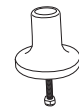
- Patented nylon sleeve joint system allows you to easily adjust four monitors straight across or in cockpit type arrangement
- 27.5" pole for height adjustment
- 10" fully extended. 4" in stored position

Package Weight: 27 lbs

SA240: \$1027 + Cost of Mount Option

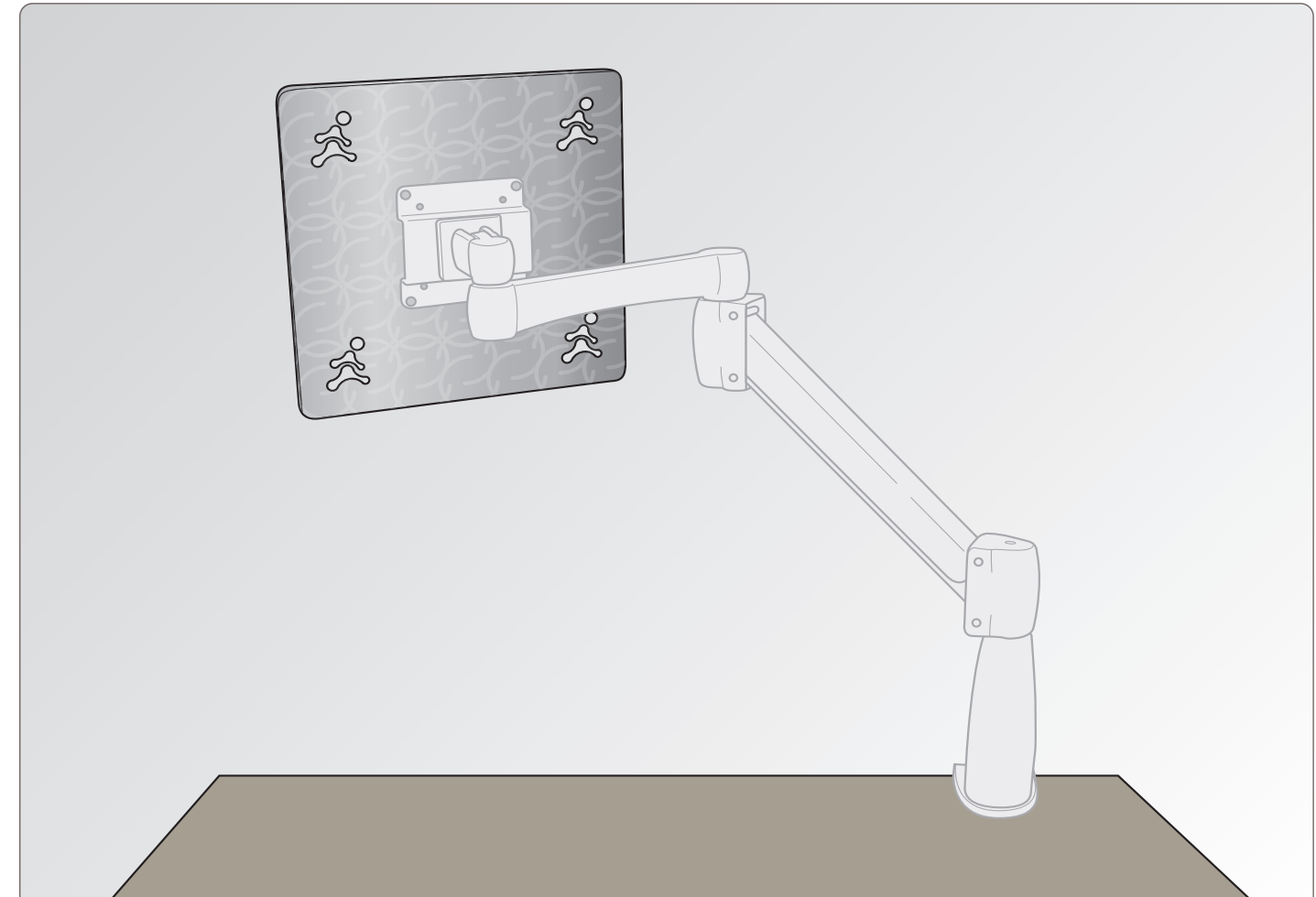
(Must use heavy duty mounts below)

Heavy Duty Mounting Options

DESCRIPTION	FINISH/COLOUR	PART NO.	LIST PRICE
 <p>Heavy Duty Clamp Mount To be used with SA230 & SA240 <i>Heavy Duty</i></p>	Aluminum	1221	\$ 380
 <p>Heavy Duty Grommet Mounts & Direct Mount To be used with SA230 & SA240 <i>Heavy Duty</i></p>	Aluminum	1220	\$ 280

To be used in conjunction with SA230 and SA240

STAINLESS STEEL DEMO MONITOR



Product Code: 1600 + arm desired


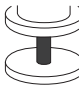




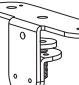
The stainless steel demo monitor will add approximately the same weight that a real monitor will add to the SA300 or SA320, enabling the counterbalance to work.

This effectively makes the monitor almost weightless, requiring about 1 pound of force to move the monitor in any direction. It also better demonstrates what the monitor will look like once it is attached to the arm.



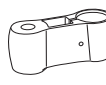
Package Weight: 8.5 lbs

List Price: \$200

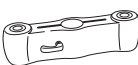

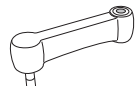
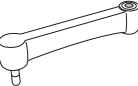
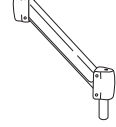
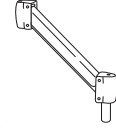



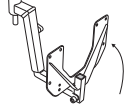
Mounting Options

DESCRIPTION	FINISH/COLOUR	PART NO.	LIST PRICE
 <p>Standard Desk Clamp Mount Clamping Distance (thickness of desk) – 0.5" to 1.75"</p>	Black	1216	\$ 65
	Silver / Gray	1217	\$ 65
 <p>Direct Bolt Mount Note: This is not a grommet, only a 12.7mm (.5") hole through desk is required.</p>	Black	1241	\$ 65
	Silver	1240	\$ 65
 <p>Grommet Mount (2.5" to 3" hole) Disc covers standard grommet holes Allows wires to pass through</p>	Black	1247	\$ 65
	Silver / Gray	1248	\$ 65
 <p>Slat Wall Mount 1" Adjustment</p>	Black	1218	\$ 95
	Silver / Gray	1219	\$ 95
 <p>Wall Mount 100mm x 100mm</p>	Black	1214	\$ 95
	Silver	1215	\$ 95
 <p>SA320 Grommet & Direct Mount Disc covers standard grommet holes Allows wires to pass through</p>	Black	9997	\$ 30
	Silver	9996	\$ 30
 <p>SA320 Clamp Mount Clamping distance (thickness of desk) (.5" to 1.75")</p>	Black	9999	\$ 30
	Silver	9998	\$ 30

Monitor Arm Components

DESCRIPTION	FINISH/COLOUR	PART NO.	LIST PRICE
 <p>16" Mounting Pole Mounting pole height : 16" For 1, 2, or 3 monitors</p>	Stainless Steel	1222	\$ 145
 <p>27.5" Mounting Pole Mounting pole height : 27.5" For 2 or more Monitors</p>	Stainless Steel	1223	\$ 210
 <p>3" Cylindrical Mounting Riser For all SA300 Mount Options except the Wall /Slat Wall Mount</p>	Black	1246	\$ 55
	Silver	1243	\$ 55
 <p>6" Cylindrical Mounting Riser For all SA300 Mount Options except the Wall /Slat Wall Mount</p>	Black	1232	\$ 63
	Silver	1233	\$ 63
 <p>Single Arm Adapter Adapter bracket for mounting 1 flat screen to pole</p>	Black	1106	\$ 75
	Silver / Gray	1103	\$ 75

Monitor Arm Components (continued)

DESCRIPTION	FINISH/COLOUR	PART NO.	LIST PRICE
 <p>Dual Arm Adapter (for Pole) Adapter bracket for mounting 2 flat screens to pole Note: requires additional extension arms.</p>	Black	1226	\$ 110
	Silver / Gray	1227	\$ 110
 <p>Dual Adapter with Spigot (for WallTrax & Gas Arm) Adapter bracket for mounting 2 flat screens Note: requires additional extension arms. Also used on WallTrax 7</p>	Black	1230	\$ 155
	Silver / Gray	1231	\$ 155
 <p>4.5" Extension Arm Extension arm with 1 pin, 1 hole</p>	Black	1245	\$ 49
	Silver / Gray	1244	\$ 49
 <p>9.5" Extension Arm Extension arm with 1 pin, 1 hole</p>	Black	1234	\$ 70
	Silver / Gray	1235	\$ 70
 <p>Vesa Monitor Mount Tilt/turn joint with VESA 100mm x 100mm bracket (Fits both 100x100 and 75 x 75 VESA brackets)</p>	Black	1236	\$ 120
	Silver / Gray	1237	\$ 120
 <p>Standard Gas Arm (Capacity 4.4 lbs. to 17.6 lbs.)</p>	Black	1210	\$ 170
	Silver / Gray	1211	\$ 170
 <p>Heavy Duty Gas Arm (Capacity 13 lbs. to 30 lbs.)</p>	Black	1212	\$ 225
	Silver / Gray	1213	\$ 225
 <p>Keyboard Tray with Folding Fork (adjustable) 26" x 7.88" Weight of Keyboard tray 7.05 lbs/ 3.20 Kgs.</p>	Black	KTFF-B	\$ 442
	Silver / Gray	KTFF-S	\$ 442
 <p>Universal Tray with Vesa 12" x 12" Weight of Universal Tray 6.2 lbs/2.80 Kgs.</p>	Black	UTV-B	\$ 185
	Silver / Gray	UTV-S	\$ 185
 <p>Laptop Tray with Vesa 12" x 20" Must be used with Heavy Duty Gas Arm</p>	Black	LTV-B	\$ 205
	Silver	LTV-S	\$ 205
 <p>Fold-Up Fork Adapter For easy storage of keyboard 4" height adjustment</p>	Black	1608	\$ 325
	Silver	1606	\$ 325

Wall Trax



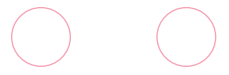
Anatome's Wall Trax computer mount system is the perfect space saving solution. Our modular components can retract the monitor and fold the keyboard up against the wall instantly freeing up not only floor space, but space overall. There really is no limit to how the Wall Trax can save space for just about any computer application.



The Rollo Keyboard

The Rollo Keyboard is a flexible and completely unique keyboard solution. The ultimate keyboard for use in tight spaces, it's so durable that it can be folded, twisted and even rolled up in to a cylinder! And it's covered in an easy-to-clean finish, making it a great solution for the healthcare environment.

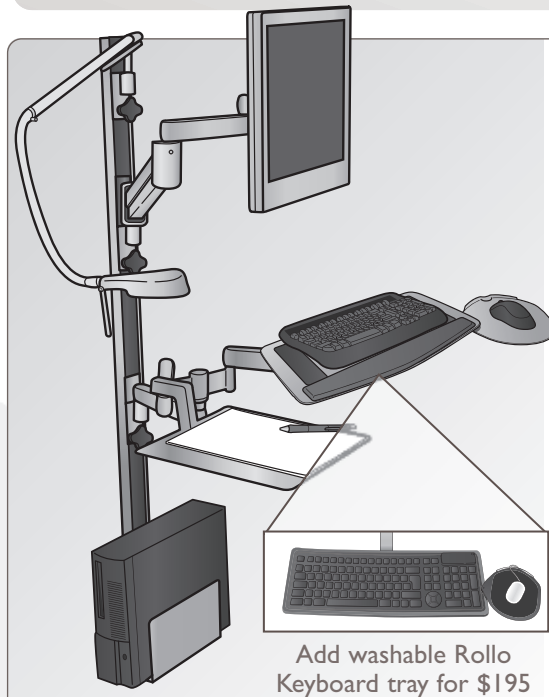
See page 44 for more details.



Conquer the Clutter

Pre-configured Wall Trax Supports

Wall Trax Fully Loaded



Product Code:

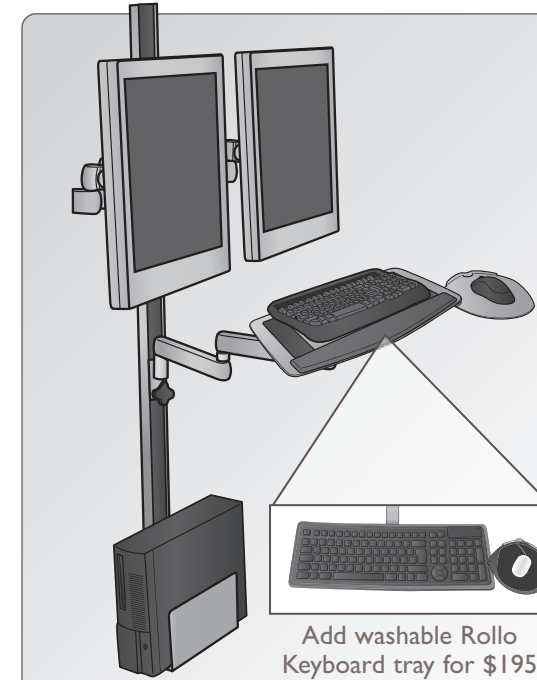
Wall Trax 7 (Add RKBWT + \$195 for Rollo Keyboard)
Wall Trax 7 HD (For monitors 13 - 30.5 lbs)

- 54" x 4" track for secure mounting and vertical adjustment
- Gas arm with one extension arm for instant monitor height/tilt/swivel/depth adjustment, 27.5" in extended position, 6" in stored position approximately 18" of height adjustment (plus adjustment in the track)
- Dual arm adapter which holds a writing tablet 12" X 12", Two extension arms, keyboard/mouse deck for retracting and folding against wall when not used, 17" in extended position and 6" in stored position
- Adjustable task light for poorly lit areas
- CPU Holder width adjustment for small to medium sized CPU towers opens 4" to 7" other sizes available
- Keyboard has about 20" of depth adjustment and height is fixed in the track (plus adjustment in the track). Keyboard can fold down flat against the track

Package Weight: 32 lbs

Wall Trax 7: \$2450
Wall Trax 7 HD: \$2505

Wall Trax with Dual Monitors



Product Code:

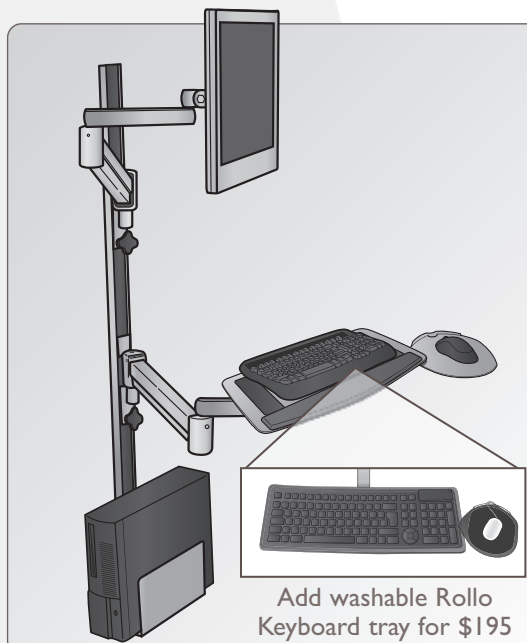
Wall Trax 5 (Add RKBWT + \$195 for Rollo Keyboard)

- 54" x 4" track for secure mounting and vertical adjustment
- Dual monitor arm with two extension arms with manual height adjustment 14" in extended position and 5.5" in stored position from the wall (plus adjustment in the track)
- Two extension arms with fold down keyboard/mouse platform, 30" in extended position and 8" in stored position from the wall (plus adjustment in the track)
- CPU Holder width adjustment for small to medium sized CPU towers opens 4" to 7" other sizes available

Package Weight: 29 lbs

List Price: \$1750

Wall Trax with Gas Arms For Monitor & Keyboard



Product Code:

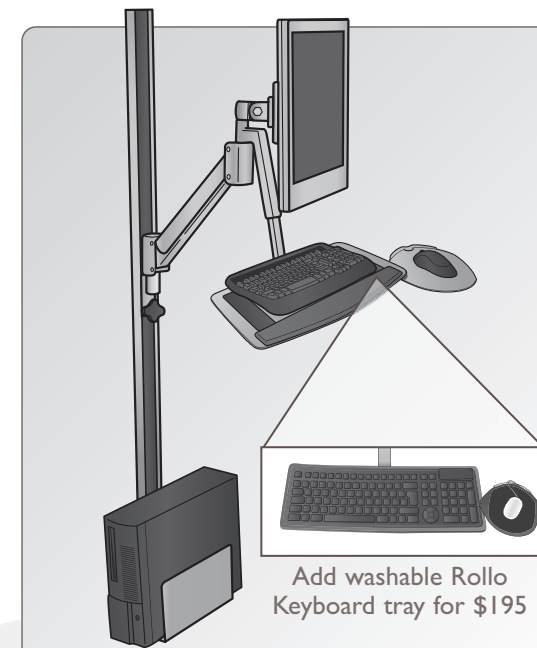
Wall Trax 6 (Add RKBWT + \$195 for Rollo Keyboard)
Wall Trax 6 HD (For monitors 13 - 30.5 lbs)

- 54" x 4" track for secure mounting and vertical adjustment
- Gas arm with one extension arm for instant monitor height/tilt/swivel/depth adjustment, 27.5" in extended position and 6" in stored position approx 18" of height adjustment (plus adjustment in the track)
- CPU Holder width adjustment for small to medium sized CPU towers opens to 4" to 7" other sizes available
- Keyboard has about 27.5" of depth and 18" of height adjustment (plus adjustment in the track). Keyboard can fold down flat against the track

Package Weight: 34 lbs

Wall Trax 6: \$1884
Wall Trax 6 HD: \$1939

Wall Trax with Simultaneous Monitor & Keyboard



Product Code:

Wall Trax 4 (Add RKBWT + \$195 for Rollo Keyboard)

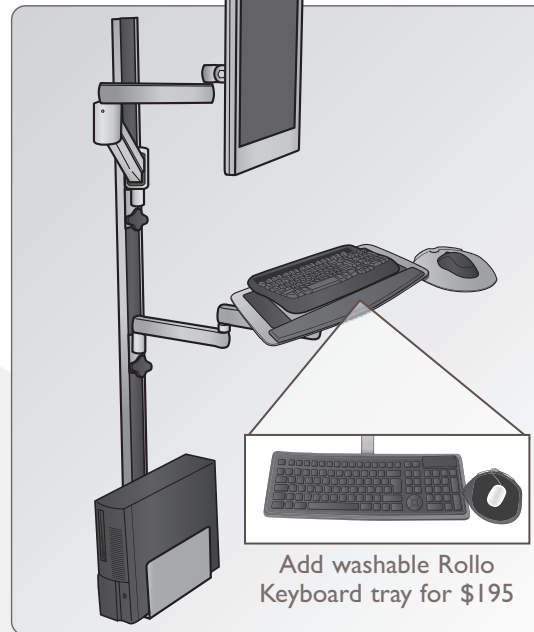
- 54" x 4" track for secure mounting and vertical adjustment
- Simultaneous gas assisted monitor and fold up keyboard adjusts approximately 18" vertically, perfect for sit to stand use, 32.5" in extended position (to user side of keyboard tray) and 11" in stored position
- CPU Holder width adjustment for small to medium sized CPU towers 4" to 7" other sizes available

Package Weight: 32 lbs

List Price: \$1699

Pre-configured Wall Trax Supports

Wall Trax with Gas Arm For Monitor



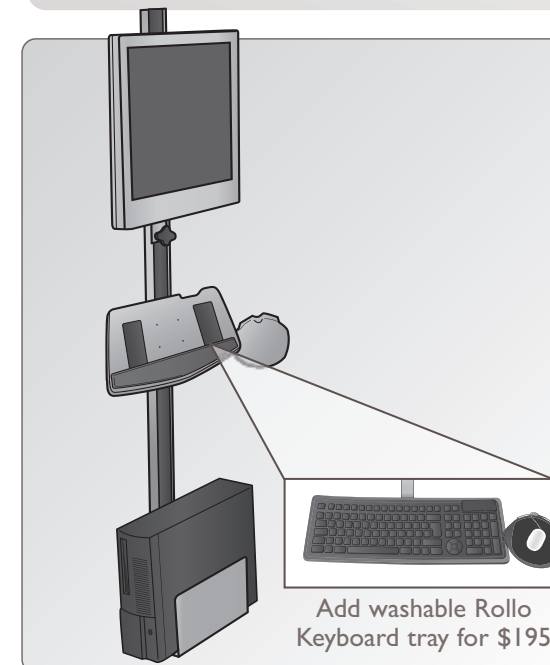
- Product Code:**
Wall Trax 3 (Add RKBWT + \$195 for Rollo Keyboard)
Wall Trax 3 HD (For monitors 13 - 30.5 lbs)
- 54" x 4" track for secure mounting and vertical adjustment
 - Gas arm with one extension arm with approximately 18" of height adjustment, 27.5" extended position and 6" in stored position
 - CPU Holder width adjustment for small to medium sized CPU towers opens 4" to 7" other sizes available
 - Two extension arms for the fold down keyboard/mouse platform, 30" extended position, 8" in stored position (plus adjustment in track)



Package Weight: 32 lbs

Wall Trax 3: \$1681
Wall Trax 3 HD: \$1736

Wall Trax with No Extensions

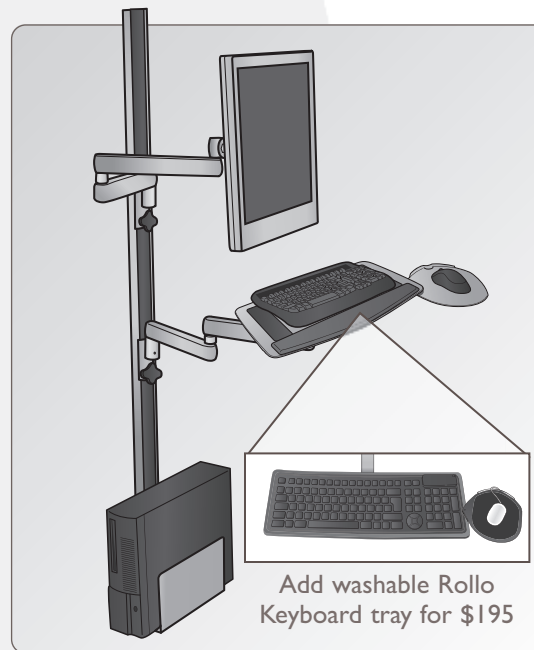


- Product Code:**
Wall Trax 1 (Add RKBWT + \$195 for Rollo Keyboard)
- 54" x 4" track for secure mounting and vertical adjustment
 - Direct mount monitor mount allow up & down pivot (infinite height adjustment in track)
 - Fold up keyboard tray is mounted with a 4.5" extension arm for minimal pivot (infinite height adjustment in track)
 - CPU Holder width adjustment for small to medium sized CPU towers opens 4" to 7" other sizes available

Package Weight: 22 lbs

List Price: \$1328

Wall Trax with Manual Height Monitor & Keyboard



- Product Code:**
Wall Trax 2 (Add RKBWT + \$195 for Rollo Keyboard)
- 54" x 4" track for secure mounting and vertical adjustment
 - Single monitor arm with two extension arms with manual height adjustment 20" extended position, 8" from wall in stored position (plus adjustment in the track)
 - Two extension arms for the fold down keyboard/mouse platform, 30" extended position, 8" in stored position (plus adjustment in track)
 - CPU Holder width adjustment for small to medium sized CPU towers opens 4" to 7" other sizes available

Package Weight: 27 lbs

List Price: \$1478

Mobile Laptop Cart

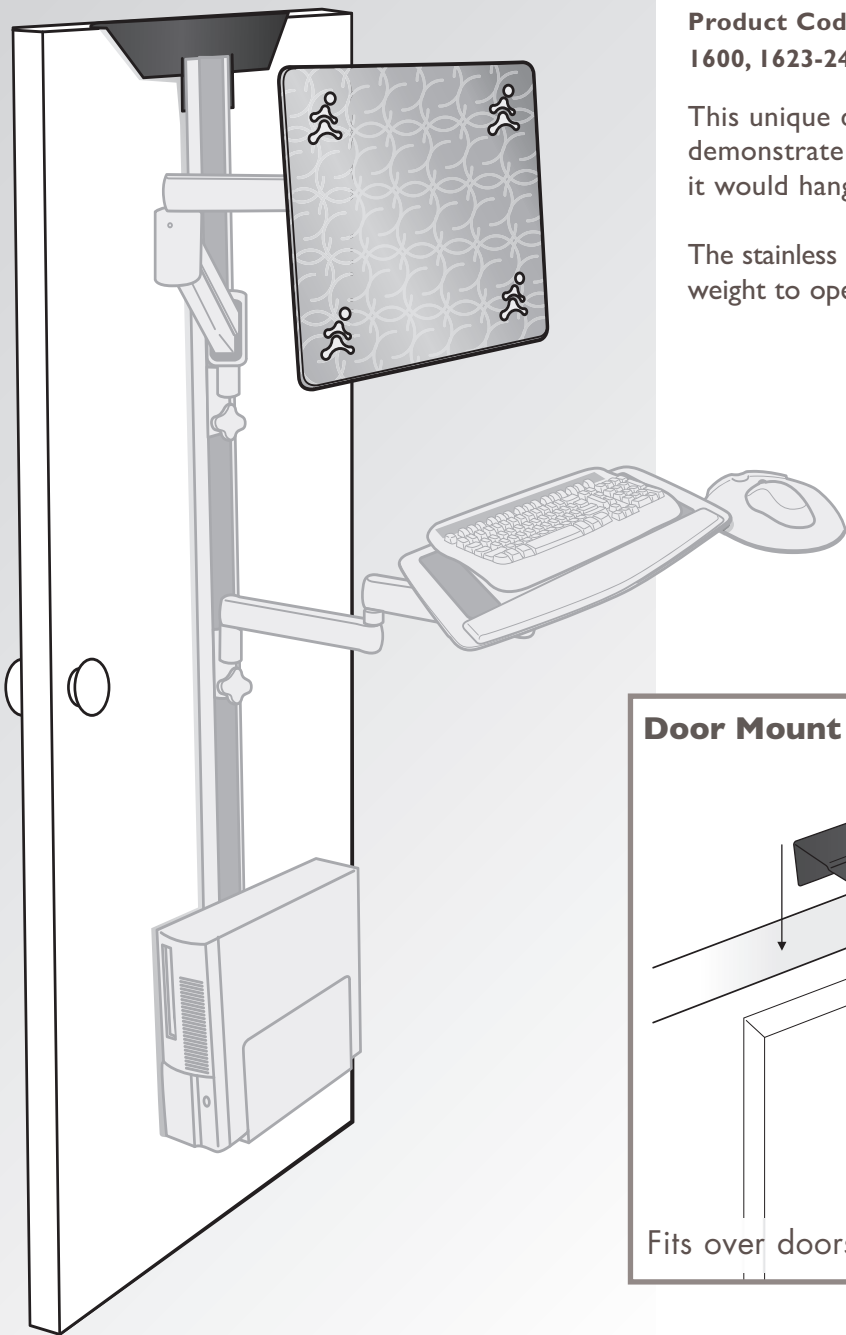


- Product Code: MLC 1**
- Adjustable workstation on wheels
 - Ready access to keyboard, mouse tray and writing surface
 - Small footprint allows for versatility in confined spaces
 - Anti-microbial paint that complies with infection control policies set by Health Care Organizations.
 - No assembly required - delivered fully assembled!
 - Cart shipping weight with pallet & box: 74 lbs.
 - Cart ships fully assembled, weighs in at 56 lbs out of package
 - **Shipping not included in price**

Product Weight (out of packaging): 56 lbs
Shipping Weight (fully packaged, with pallet): 74 lbs

List Price: \$2285

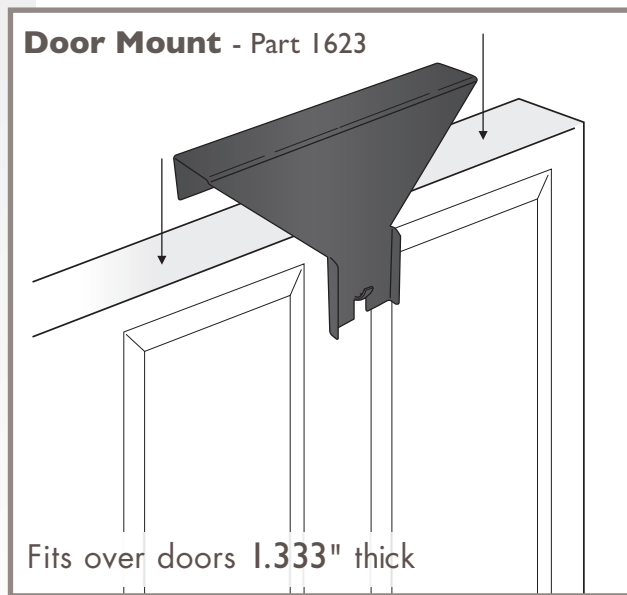
Wall Trax 3 Demo



Product Code:
1600, 1623-24 (mount with track) + walltrax desired

This unique door hanging system allows users to demonstrate our most popular Wall Trax 3 unit as it would hang on the wall.

The stainless steel monitor offers the counterbalance weight to operate the monitor arm.



1623-24 (Wall Trax Door Hanger Mount with Track): \$150
1600 (Stainless Steel Monitor): \$200

Wall Trax Components

DESCRIPTION	FINISH/COLOUR	PART NO.	LIST PRICE
 Trax (Track) 54" Predrilled ready for mounting	Aluminum	1601	\$ 313
 Track Wire Manager Requires cutting to length once accessories are positioned in correct locations	Gray	1605	\$ 25
 Vertical Track Mount Required for mounting accessories	Silver / Gray	1611	\$ 125
 Fold-Up Fork Adapter For easy storage of keyboard	Silver / Gray	1606	\$ 325
 Universal Tray with Vesa (eg. use: telephone) 12" x 12" Weight of Universal Tray 6.2 lbs/2.80 Kgs. Must add vertical mount	Silver / Gray	UTV-S	\$ 185
 Printer Tray with 4.5" Extension Arm with Vesa 12" x 20" Must add vertical mount	Silver / Gray	PTV-S	\$ 234
 Laptop Tray with Vesa Bracket 12" x 20" Must add vertical mount	Silver / Gray	LTV-S	\$ 205
 CPU Holder with Mounting Bracket Adjusts from 4" to 7"	Silver / Gray	WCPU-B	\$ 250
 Lockable CPU Holder with Mounting Bracket Adjusts from 2" to 8.5", Height ranges 11.5" to 22" Lockable side clamp and adjustable rail brace for increased support and security	Silver / Gray	WCPU-LB	\$ 425
 L100 Creates additional light for typing or reading Easily mounts onto WallTrax system Finger touch position adjustment (vertical mount not included)	Stainless Steel	9808	\$ 450
 Scanner Holder Height adjustable & flexible	Silver / Gray	1300	\$ 250
 Mouse Trap Mounts on underside of trays. Provides holder for mouse when tray is folded up and stowed away	Ivory	10075	\$ 25

CPU Storage Supports

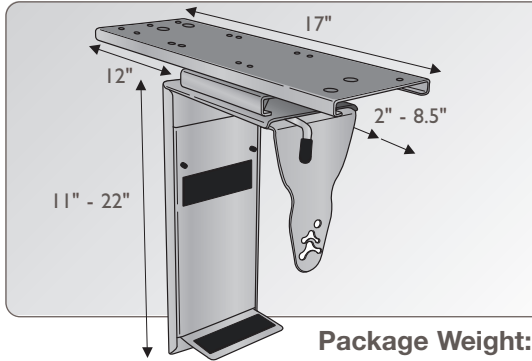
Anatome CPU Holders lift your valuable computers off the floor, protecting it from dust, accidental spills and hard knocks. Models for our CPU Holders include fixed mount, storable with a track & swivel, and a lockable version.



The Support You Need

CPU Storage Products

Slide and Swivel Mount



Product Code CPU300SS - Silver/Black

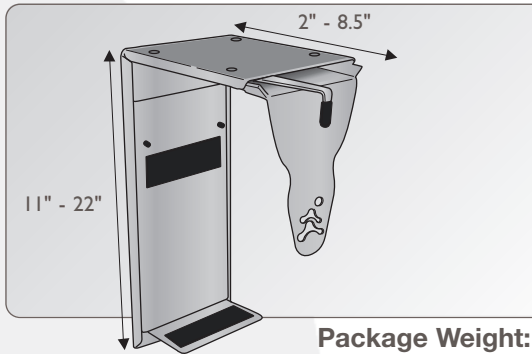
- Storable slide travel of 12"
- 360 degree swivel
- CPU Width range 2" to 8.5"
- CPU Height range 11" to 22"
- Easy installation



Package Weight: 12 lbs

List Price: \$230

Direct CPU Mount



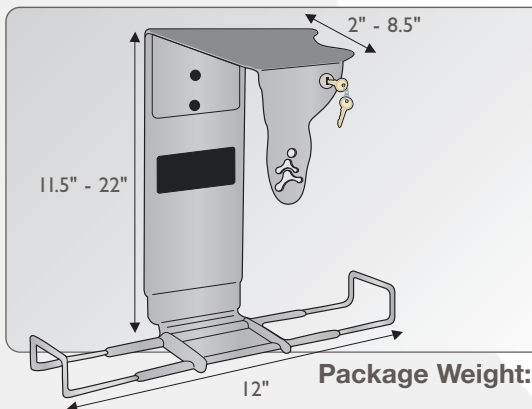
Product Code CPU300D - Silver/Black

- Perfect for mounting under desks
- CPU Width range 2" to 8.5"
- CPU Height range 11" to 22"
- Easy installation

Package Weight: 8 lbs

List Price: \$210

Lockable CPU Mount



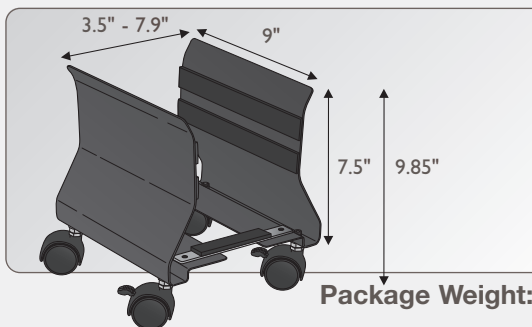
Product Code: CPU300L

- Storable slide travel of 12"
- 360 degree swivel
- CPU Width range 2" to 8.5"
- CPU Height range 11.5" to 22"
- Lockable side clamp to help deter CPU theft and tampering
- Bottom adjustable rail brace for increased support and security

Package Weight: 18.75 lbs

List Price: \$330

CPU Dolly



Product Code: CPUDLY

- Durable all steel construction
- Easily installed and expanded for various CPU thicknesses
- One locking caster can be used to prevent undesired CPU movement

Package Weight: 5 lbs

List Price: \$110

CPU DEMO

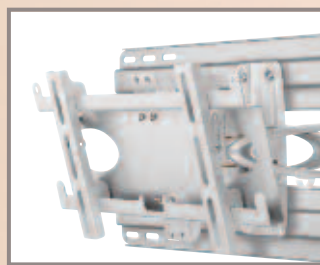
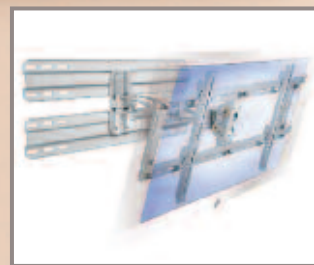


Product Code: 99005-8

The miniature demo unit of the CPU 300 holder is a tremendous aid for members of the sales team. It helps them demonstrate all of the unique features of the CPU holder while being portable and easy to manage because of its smaller size and weight.

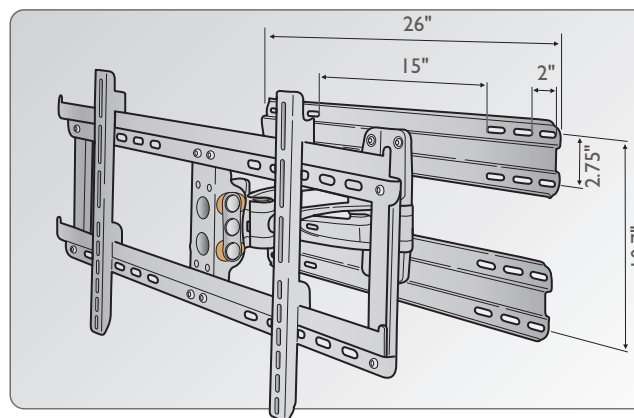
List Price: \$150

Note: The CPU Dolly (CPUDLY) & CPU Demo (99005-8) are not available on GSA.



TV Mounts

Universal Swing & Pivot Mount, For TVs 37" to 46"



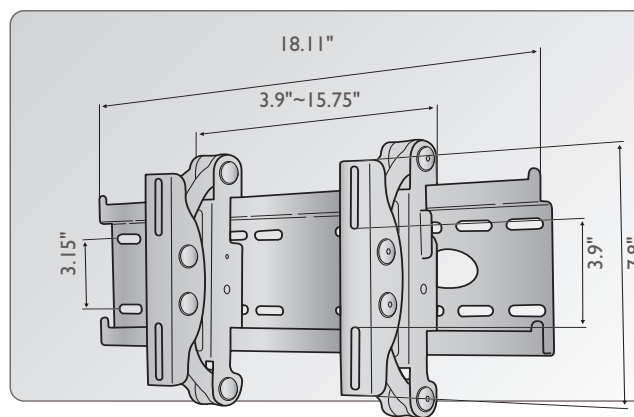
Part Code: # TVSP3746

- Pull out & swivel capabilities
- Easily tilt TV up or down for better viewing angles
- Reliable and durable
- High quality and state-of-the-art engineering

Package Weight: 16.2 lbs

List Price: \$660

Universal Pivot Mount, For TVs 32" to 37"



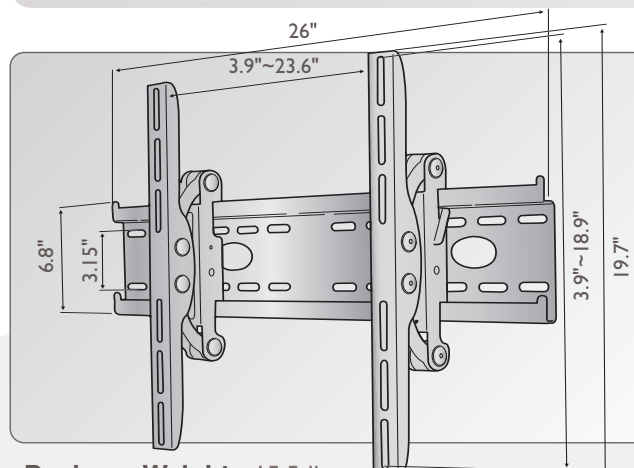
Part Code: # TVP3237

- Easily tilt TV up or down for better viewing angles
- Reliable and durable
- High quality and state-of-the-art engineering

Package Weight: 11.5 lbs

List Price: \$290

Universal Pivot Mount, For TVs 37" to 65"



Part Code: # TVP3765

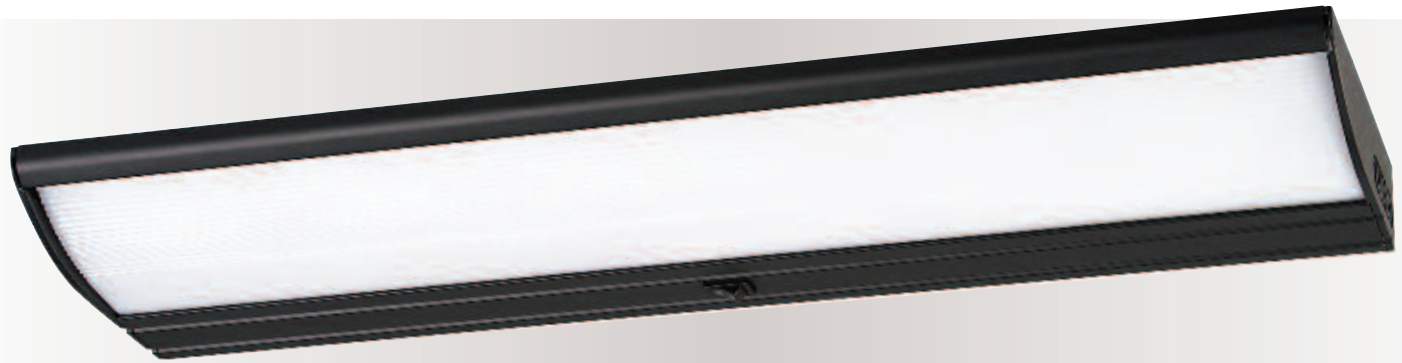
- Easily tilt TV up or down for better viewing angles
- Reliable and durable
- High quality and state-of-the-art engineering

Package Weight: 15.5 lbs

List Price: \$320

Something On Your Wall You'll Actually Look At.

Undercabinet Lighting



Though uniquely elegant for an undercabinet light, the low-profile design effectively hides the light beneath the underside of an overhead storage cabinet or shelf. A choice of 3 widths makes the light suitable for any size or shape workspace or application.

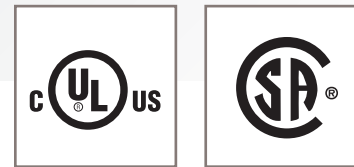
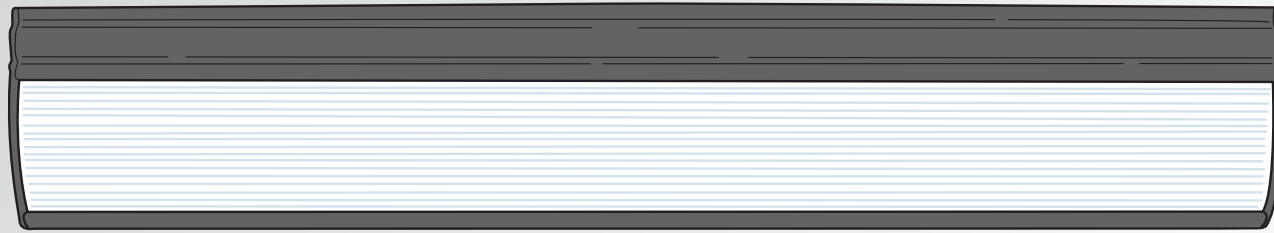
Through its combination of high-polished reflectors and proprietary diffusers, Anatome's under cabinet light output is unequalled. With a T8 fluorescent light source, and ergonomic light distribution, the light effectively covers a larger workspace while using the least amount of power.



Burn the Midnight Oil with Style

Undercabinet Lighting Options

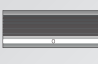
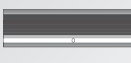
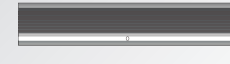
Undercabinet Lighting



Our Undercabinet Lights Offer:

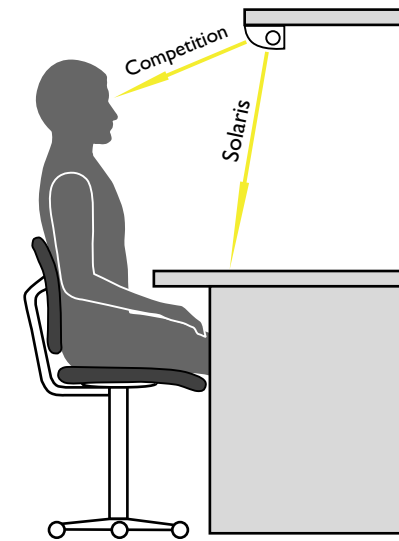
- 33 percent energy savings. Our 17W 24" fixture equals the average competitors 25W 36" fixture - same light output from
 - a.) High-efficiency ballast
 - b.) real metallic reflector and --the only ergonomically and optically correct diffuser (vs. Their \$0.25 prismatic acrylic diffuser)
- All aluminum recyclable body vs. Their heavy steel fixture
- Universal cord management with no wiring required at install (other right/left cord fixtures require cord to be installed on site in markets like New York, which require union labor to install)

Information & Pricing Chart

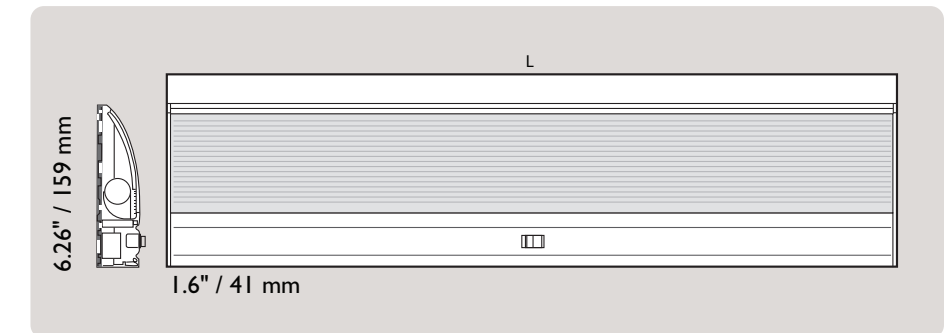
	Cabinet Size	Product Code:	Lamping	Fixture Size	List Price:
	24 in. (670 mm)	AN-15-18-BK-UC	15W T8	18.5" (470 mm)	\$ 165
	30 in. (762 mm) 36 in. (914 mm)	AN-17-24-BK-UC	17W T8	24.5" (622 mm)	\$ 180
	42 in. (1067 mm) 48 in. (1219 mm) 60 in. (1524 mm) 72 in. (1829 mm)	AN-25-36-BK-UC	25W T8	36.6" (927 mm)	\$ 200

Accessories

Model	Description	List Price:
CC	Chicago Code Cord and Plug	\$ 39



Glare-Eliminating Optics System



Versa Light

13W Electronic Ballasted, perfectly balanced, arm-based task light.

This fixture will cover over 75% of an 8x8 workstation with 25-100 additional footcandles. Two 36" Undercabinets will only cover 36% of the same workstation with the same light.

This is a cost-effective option for those who need light but want energy saving or don't have shelves/cabinets, all at roughly the same price as a single under cabinet light.

As far as energy savings, 13W vs 50W (2x25W U/C) = 74% energy savings with double the coverage and full adjustability.

Please inquire about available mounting brackets for panels, tool-tiles, etc.

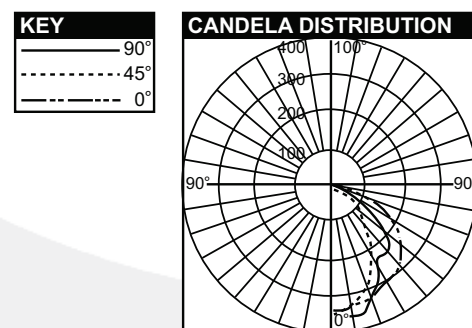
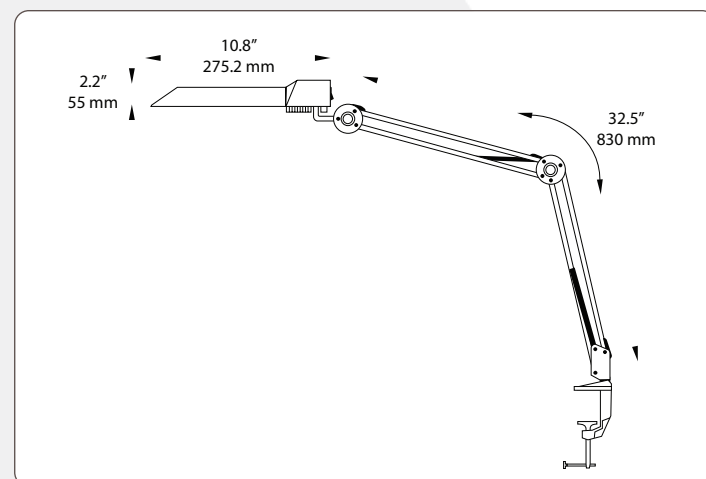


Information & Pricing Chart

- Lamp:** 4-pin, 13W compact fluorescent lamp
- Electrical:** Light wired for 120V, 60 Hz operation
- Ballast:** HF electronic ballast
- Power Cord:** 6' long
- Shade:** Non-reflective ABS
- Mounting:** Edge Clamp
- Accessories:** Table / Desk Base

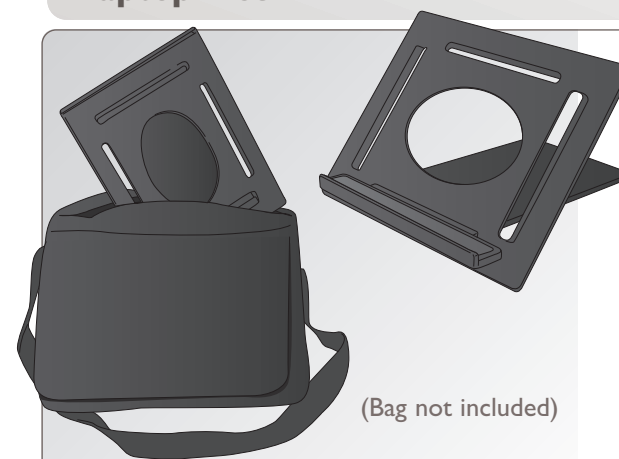
	Product Code:	Description	List Price:
	VER-EC	T-08 with Edge Clamp Black (BK)	\$ 285
	VER-DB	T-08 Table/Desk Base Black (BK)	\$ 90
Model:	Description	List Price:	
CC	Chicago Code Cord and Plug	\$ 39	

Dimensions



Ergonomic Accessories

Laptop Riser



Product Code: LR01

- Saves your neck & wrist at home or on the road
- 4 angle settings (20°, 30°, 40°, or 50°) allow simple and intuitive height adjustment
- Couple with Rollo Keyboard for the perfect out-of-the-office set up.
- Ergonomic design enables air to circulate freely around your laptop
- Stand designed to be as portable as laptop - fits comfortably in to any laptop satchel or bag

List Price: \$165

Rollo Keyboard

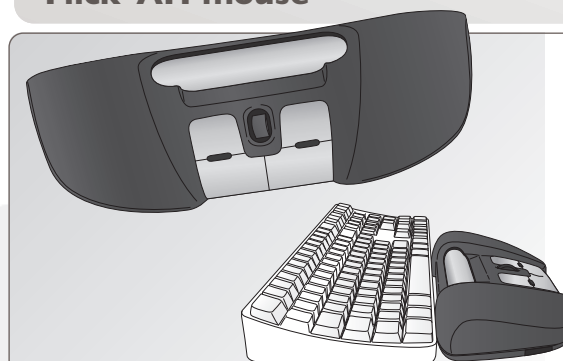


Product Code: RKB01

- Super-slim light weight flexible keyboard
- Resistant to water, alcohol and other disinfectants including lighter cleaning products.
- Works in temperature intervals -40° to +176° F
- Connects via USB / PS2
- Windows 98/2000/ME/XP, Mac OS compatible
- 107-key virtually indestructible keyboard
- 2-year warranty
- Measurements: 15.87" L x 5.11" W x 0.31" H

List Price: \$195

Flick-AH mouse



Product Code: FL01

- Built on the principle that centering the pointing device between the user and keyboard will keep the user's hands and arms in a naturally centered position while working, thereby reducing strain/stress to the body
- This model is equipped with a 6-button mouse, including the clickable roll.
- Black with silver buttons.

Weight: 0.7 Pounds Height: 1.25" Depth: 4.1" Width: 11"

List Price: \$250

Conditions of Sale

Pricing

Anatome reserves the right to change published prices without notice. For latest pricing information please visit the support section of www.anatomeco.com. Prices in effect at the time of the order acceptance shall apply. All applicable taxes are extra.

Order Acceptance

Orders will be accepted through all authorized Anatome Dealers upon issuance of a written purchase order on letterhead or purchase order of the customer being billed. Faxed or emailed orders are acceptable.

Order Cancellation

All orders are considered firm and not subject to cancellation without our documented approval. Cancellation charges will be assessed based on processing expenses. Minimum charge is 25%.

Credit Terms

Terms are net 30 days O.A.C. Terms are subject to change and review based upon performance. Companies are required to provide a completed signed Dealer Application for the purpose of updating or setting up an account. For first time orders, under \$1,000 net, Anatome will require prepayment by credit card (Visa or Mastercard) or cheque.

Freight Policy

Anatome reserves the right to use its own or commercial carriers for the "best way" to ship, at its sole discretion. Normal delivery is dock to dock. Special requests such as inside delivery, residential delivery, etc. are subject to additional charges. All additional charges will be the responsibility of the consignee. Anatome reserves the right to charge for freight services over and above standard "best way" delivery. Delivered pricing is based on shipment to the 48 U.S. contiguous states. For shipments to other destinations, we reserve the right to add a surcharge.

Qualifications For Delivered Pricing

Please call your Anatome Sales Representative for your qualifications for delivered pricing.

Loss / Damage Liability

Every effort is undertaken to effect secure packaging. However, our liability ends when the carrier issues a clear receipt acknowledging that the shipment has been received in good condition. The carrier is then liable for loss or delay or damage. Signing for a shipment without noting damage or deficiencies absolves Anatome of further responsibility and a freight claim will have to be made by the customer.

NOTE: A packing slip signed by the carrier for pick-up at Anatome Warehouse constitutes "Clear Receipt" and absolves Anatome of further responsibility for damage or loss or delay.

Specifications

Anatome reserves the right to institute changes to materials, specifications and designs, or to discontinue models at any time.

General Guarantee

Anatome offers a limited lifetime guarantee on all products in this Price Book, with the following exceptions:

- 1 Year: Lighting Products
- 5 Years: Gas assisted Strong Arm Cylinder
- 2 Year Warranty: Rollo Keyboard
- 1 Year Warranty: Flick-AH mouse

This guarantee is applicable to the initial purchaser only as is non-transferable. Our guarantee covers materials and workmanship for products under normal use 8 hours per day 5 days a week. Products that are specified for normal use 24 hours per day 7 days a week are guaranteed under the same terms and conditions for 10 years. Normal wear and tear is not covered and repair or replacement of defective product is at Anatome's discretion, within the terms stated above. Anatome is committed to honoring the terms of our warranty policy in a customer friendly manner. The objective is to resolve warranty issues within 72 hours.

Returns / Restock

Returns are coordinated by the Return Authorization Coordinator (RAC) and authorized by the Quality Control Manager (QCM).

Merchandise may not be returned without prior consent and a Return Authorization (RA) Number. All returns must be securely packaged and boxes clearly marked with an assigned RA number on the outside. Carrier for return goods must be specified by Anatome. Goods returned without a RA Number or by an unauthorized carrier will not be accepted. Unauthorized returned goods will be subject to a restock charge and/or a charge for any required reconditioning. Returns must be shipped prepaid, unless other arrangements have been made. Custom fabricated merchandise may not be returned.

General Information

Dimensions

The price list and product literature, show dimensions rounded to the nearest half inch. All dimensions are approximate and may be subject to change without notice. Dimensions are dependent on options selected. Product can be configured to comply with BIFMA GI:2001 Ergonomics Guideline. Where exact measurements are required, contact Customer Service.

Storage Policy

We will store product at our warehouse for 3 days at no charge. Any order requiring storage for a longer period will be charged at a rate of \$1 per day per carton. Order postponements must be received 2 weeks prior to the scheduled production time.

Anatome Shipping Standards Ex-Factory

Keyboard Trays Ship 25 units or less in 72 hours or 3 business days, over 26 units up to 2 weeks

Flat Panel Monitor Arms Ship 25 units or less in 72 hours or 3 business days, over 26 units - 2 to 6 weeks*

All other products Ship 25 units or less in 72 hours or 3 business days, over 26 units up to 2 weeks

Wall Trax ship in 2 weeks under 25 units, 4-6 weeks over 26 units

*Depends on Configuration

Ordering Anatome

To place your order, fax the following information to Anatome Customer Service Department at 1 800 272 9911:

1. Complete model number
2. List pricing and discount
3. Purchase order – please insure that the Purchase Order is made out to:
Anatome 5800 Avebury Road, Unit 3, Mississauga, Ontario, Canada L5R 3M3
4. Your purchase order must be written on either company stationery or company letterhead and include a purchaser's signature
5. Include a ship to address, phone number and email address

Literature

To order literature please email literature@anatomeco.com

Or Use the Web

In just a few simple clicks, you can submit your request online. Just go to www.anatomeco.com and select Support from the Menu. Follow the link for the Online Literature Request Form.

Contact Us

Toll Free: 1 800 563 3502

Toll Free Fax: 1 800 272 9911

www.anatomeco.com

Relax & Stretch with Dexter



1. SHOULDER LIFT

standing straight, lift shoulders towards ears and hold. 2-5 sec.



2. SHOULDER BLADE STRETCH

standing straight, clasp hands behind head, pull shoulder blades together and hold. 2-5 sec.



3. OVERHEAD ARM STRETCH

standing straight, clasp hands overhead, stretch and hold. 10 sec.



4. NECK STRETCH - SIDE

standing straight, move ear towards shoulder and hold. 5 sec. each side.



5. TORSO STRETCH

standing straight, grasp left elbow behind head, stretch torso to the right and hold. 10 sec. each side.



6. NECK STRETCH - ROTATE

standing straight, turn chin over shoulder towards back and hold. 5 sec. each side.



5800 Avebury Road, Unit 3
Mississauga ON Canada L5R 3M3

Toll Free | 800 563 3502

Fax | 800 272 9911

www.anatomeco.com